

3M Projection Systems

3M™ Super Close Projection System SCP716

Flexibility and Performance to Meet Your Demands

Technology, Front and Center

- The 3M Super Close Projection System SCP716 is a DLP projector with 3M™ Vikuiti™ Super Close Projection technology that can project the same size image from 40 inches as a conventional projector does from 10 feet away.

Raise Your Classroom IQ

- The SCP716 works with computers, DVD players, camcorders, document cameras/tablets and with most brands of interactive whiteboard to transform information and lesson plans into engaging opportunities for education enrichment.

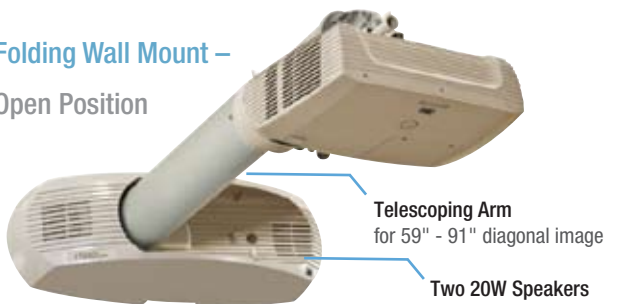
See the light

- School districts are faced with increasing educational requirements and decreasing budgets. The pressure is on to deliver a better learning environment and better technology solutions for the money.
- The SCP716 features a low Total Cost of Ownership. Installation is easy and fast. Typically, less than 2 hours.

Mounting Options

Folding Wall Mount –

Open Position

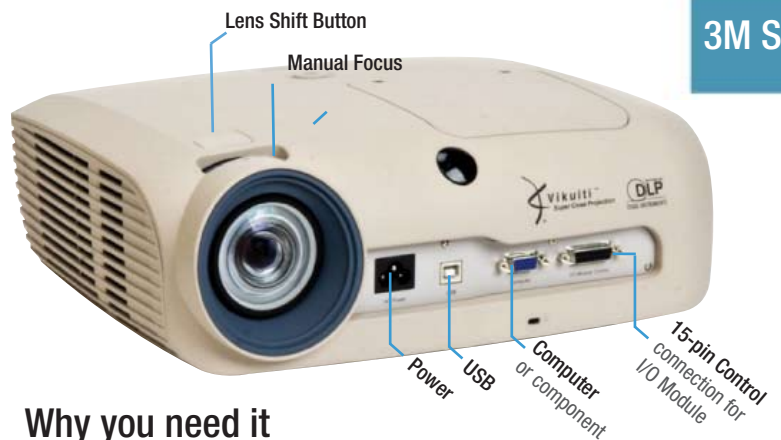
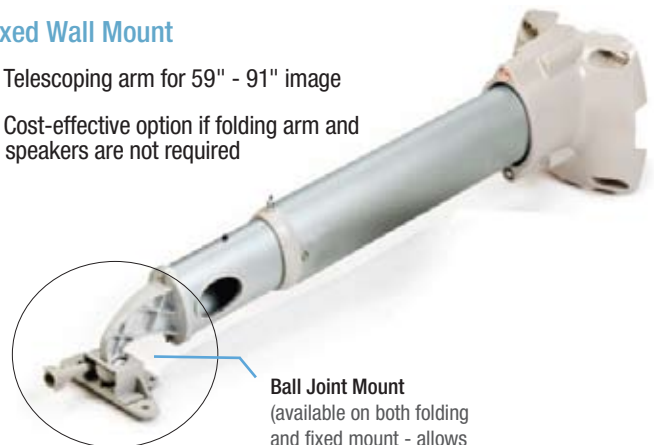


Closed Position



Fixed Wall Mount

- Telescoping arm for 59" - 91" image
- Cost-effective option if folding arm and speakers are not required

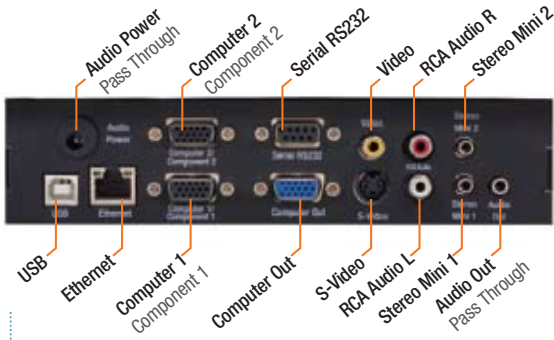


3M SCP716

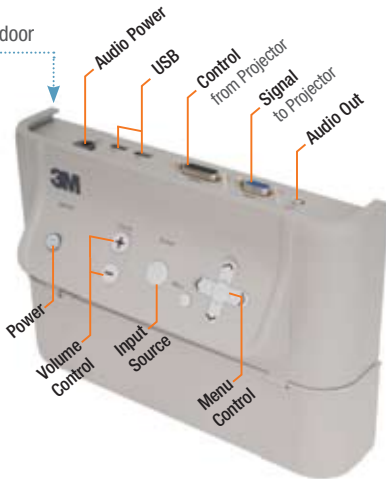
Why you need it

- 59" - 91" diagonal image with SCP wall mount
- Folding wall mount options provide added safety
- Basic or full connectivity – your choice!
- XGA (1024 x 768) native resolution
- Great for use with most brands interactive whiteboards or with existing dry-erase boards
- 2400 lumens
- 5000 hr lamp life (eco mode)
- The 3M SCP716 Projector can also stand alone as a tabletop projector or can be ceiling-mounted if a wall mount is not practical for your environment.

Connectivity Options



Connectivity under hinged door



- If your applications require more connectivity, simply purchase the 3M SCP716 with the optional SCP I/O V2 Module. This input/output module easily attaches to the wall and provides numerous connectivity options:
 - Second Computer/Component RGB input
 - Computer RGB output – ideal for teacher’s monitor
 - Two USB 1.1 ports
 - Ethernet connection provides network capabilities and basic remote administration
 - RS232 connection for basic remote control
 - S-video input for connecting a DVD/analog video device
 - RCA Audio/Video for camcorders, digital cameras, gaming and more
 - Audio power pass thru and audio output connections used with Folding Wall Mount with Speakers or with personal speakers

Annotation Sensor Module

- Increase audience retention by digitally drawing over key elements. The 3M™ Annotation Sensor turns a standard whiteboard into an interactive tool.



Product Specifications & Features

- Vikuiti™ Super Close Projection Technology by 3M
- DMD Panel: .55" DLP
- Native Resolution: XGA (1024 x 768)
- Brightness: 2400 lumens
- Aspect ratio: native 4:3, 16:9 supported
- Contrast Ratio: 1800:1
- Digital Zoom: 100% to 200%
- Projection Lens: F2.9 (focal length= 8.9mm)
- Focus: Manual
- Throw Ratio: 0.62
- Image size: 30 - 150 in. (tabletop) , 59 - 91 in. (wall mounted)
- Lamp Life: 5000 hours (eco)
- Lamp Power: 200W (normal) , 180W (eco)
- Dimensions: 12.95W x 4.59H x 10.35D in. (329 x 116.5 x 263 mm)
- Weight (projector only) : 7.6 lbs. (3.5 kg)
- Security: Integrated Kensington Slot and Pin Code Feature
- Video Compatibility: NTSC, PAL, SECAM, 480i/p, 576i/p, 720p, 1080i
- PC Compatibility: 640 x 480 (VGA), 800 x 600 (SVGA), 1024 x 768 (XGA), 1280 x 768 (SXGA), 1280 x 960, 1152 x 864, 1152 x 882, 1024 x 768 (MAC 19")
*resolution digitally compressed
- Digital Keystone Correction: Vertical -4.3° to ±10°
- Sound: Two 20W speakers (only on Folding Wall Mount with speakers)
- Noise: 30.9dB (normal) , 28.5dB (eco)
- Power Consumption: 310W (5W standby)
- Regulatory Approvals: UL/cUL, CE-TUV, CCC, FCC, VCC1, C-tick

Projector Accessories Included

- Cables & Power Cord (US, UK and Europe specific)
- Remote Control with batteries
- Safety Guide
- Multi-language Operator’s Guide on CD
- Annotation Software (Where applicable)



Projection Systems Division
3M Malaysia Sdn. Bhd. (7251V)

Bangunan 3M,
No. 6, Persiaran Tropicana,
47410 Petaling Jaya,
Selangor, Malaysia.
Tel : 03-7806 2888
Fax : 03-7806 2895/6



www.3m.com/meetings

Image Size	
Screen Size Diagonal [inch (m)]	Projection Distance Maximum [inch (m)]
40" (1.0)	20" (.51)
50" (1.3)	25" (.64)
60" (1.5)	30" (.76)
80" (2.0)	40" (1.0)
100" (2.5)	49" (1.2)
120" (3.0)	59" (1.5)

Note: These sizes are + 10 percent. This is due to variations in the manufacture of the lens. If you are close to one of the endpoints you should verify with your unit that the image is the proper size at the proper distance.

Product	Component/Modular Combination	Stock #
---------	-------------------------------	---------

Modular Combinations		
SCP716.M5	SCP716, Folding Wall Mount with Speakers, SCP I/O Module V2	78-9998-3412-6
SCP716.M6	SCP716, Folding Wall Mount with Speakers, SCP I/O Module V2 & 3M Annotation Sensor	78-9998-3413-4
SCP716.M11	SCP716, Folding Wall Mount with Speakers	78-9998-3414-2

Individual Components		
SCP716	Projector (only)	78-9236-7703-9
SCPFWMV2	SCP Fixed Wall Mount V2	78-6969-9986-7
SCPFWMV2	SCP Folding Wall Mount V2	78-6969-9987-5
SCPFWMSV2	SCP Folding Wall Mount with Speakers V2	78-6969-9988-3
SCP I/O V2	SCP I/O Module V2	78-6969-9984-2
SCP ANSNSR	SCP Annotation Sensor	78-6969-9933-9

Optional Accessories

- SCP716 Lamp Replacement Kit 78-6969-9996-6
- C1 Universal Ceiling Mount – black 78-6969-9928-9
- C1 Universal Extender Pole & Plate – black 78-6969-9927-1
(Order if required to match SKU 78-6969-9928-9)
- P1 Universal Ceiling Mount – white 78-6969-9874-5
- SCP Mobile Stand 78-6969-9973-5
- SCP Mobile Stand Tray 78-6969-9981-8
- RS232 Adapter (for SCP716s w/out I/O Modules) 78-6969-9934-7
- SCP EZ Wall Mounting Bracket (for use with most walls) 78-6969-9962-8